

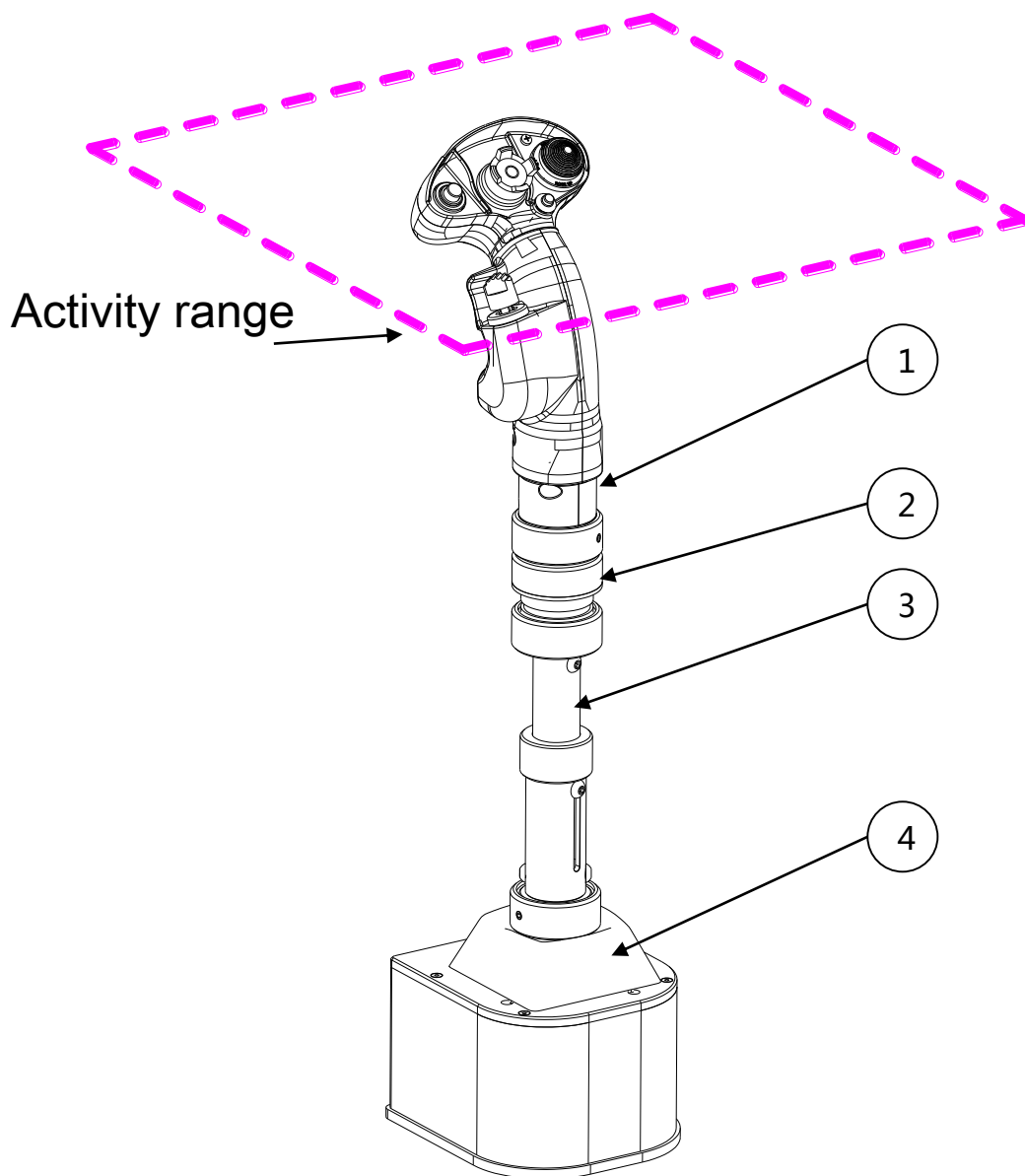
# F18 GRIP+ J1 SUPER LIBRA JOYSTICK BASE

## User manual

### V 1.1

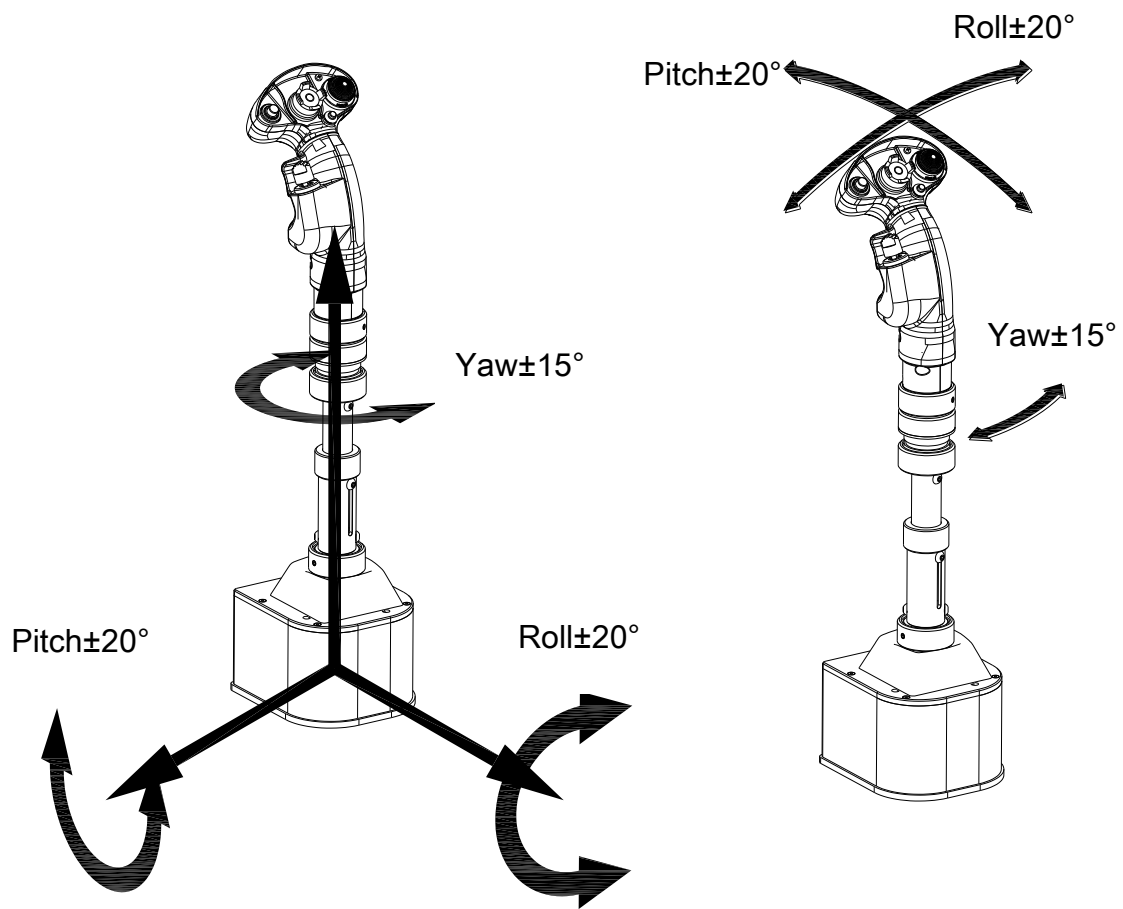
1	J1-SUPER LIBRA JOYSTICK BASE Product Introduction .....	1
1.1	Function introduction .....	2
1.2	Disassembly steps .....	3
1.3	Median calibration and median offset .....	6
1.4	Assembly steps .....	7
1.5	Damping adjustment .....	9
1.6	AM and Spring settings .....	9
2	F18-JGRIP Product Introduction .....	11
2.1	Key map introduce .....	11
2.2	Joystick Grip installation angle introduction .....	12
2.3	Combinations of products (optional) .....	13
3	J1-HOLDER .....	14
3.1	J1-HOLDER Adjustment instructions .....	14
4	Other installation methods(Official advice) .....	16
4.1	Gaming chair installation .....	16

# 1 J1-SUPER LIBRA JOYSTICK BASE Product Introduction



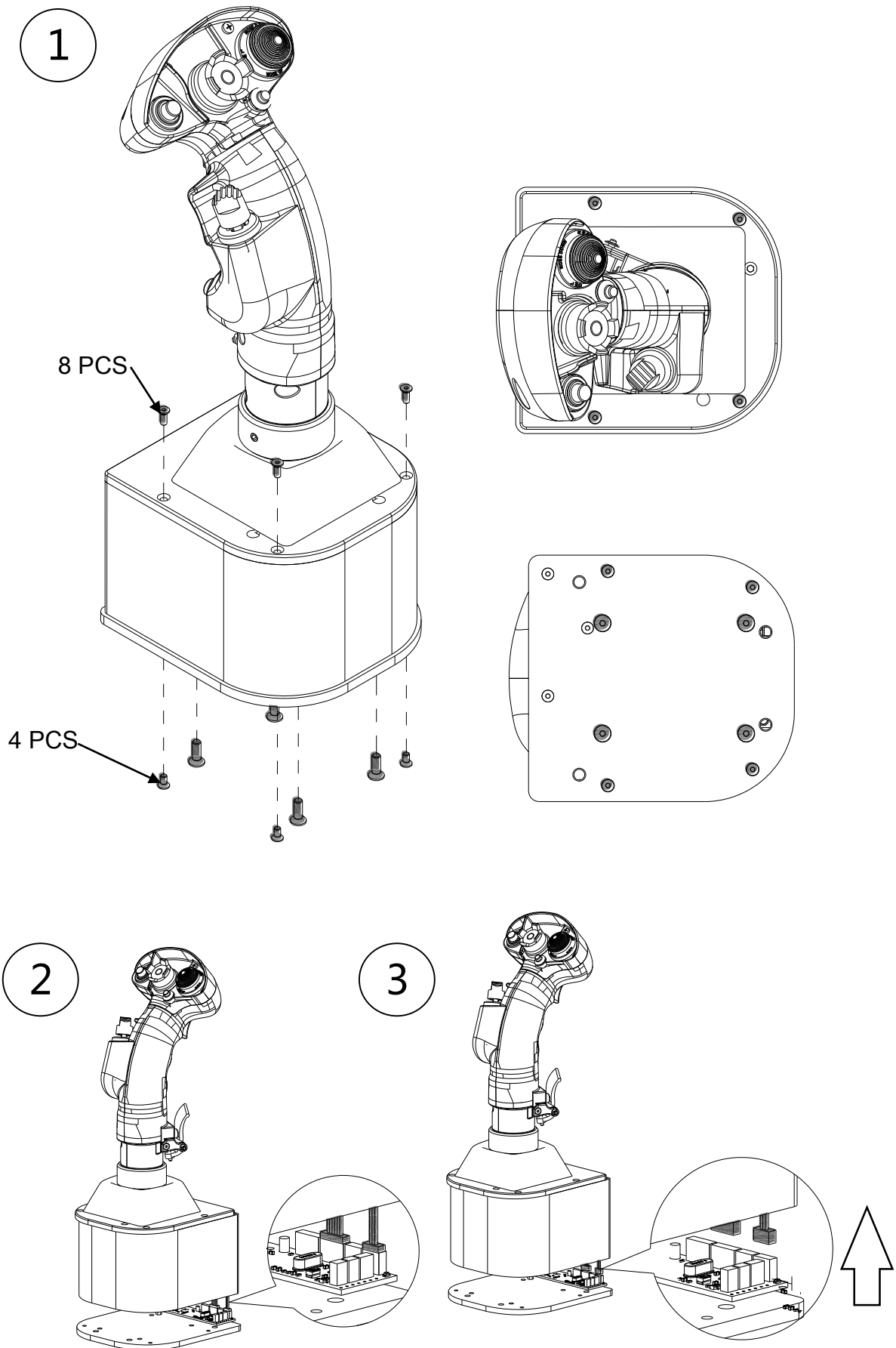
- ① F18-JGRIP;
- ② Z axis kit;
- ③ Adjustable Extension rod;
- ④ J1-JOYSTICK BASE;

## 1.1 Function introduction

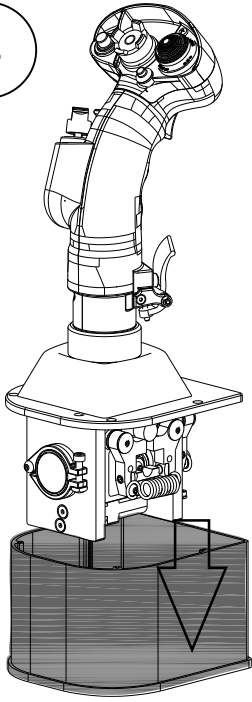


1. Pitch axis rotation angle is  $\pm 20^\circ$ ;
2. Roll axis rotation angle is  $\pm 20^\circ$ ;
3. Yaw axis rotation angle is  $\pm 15^\circ$ .

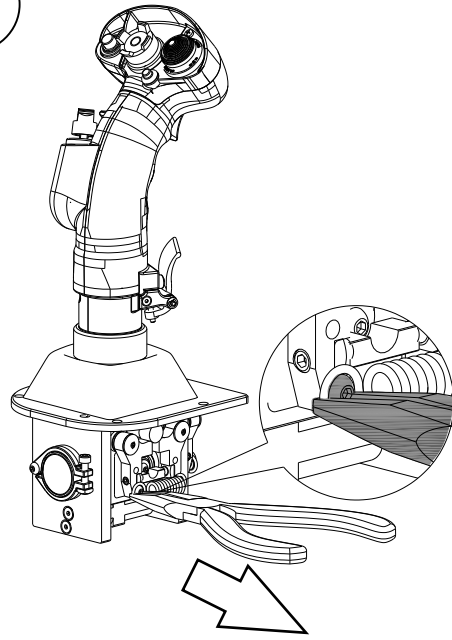
## 1.2 Disassembly steps



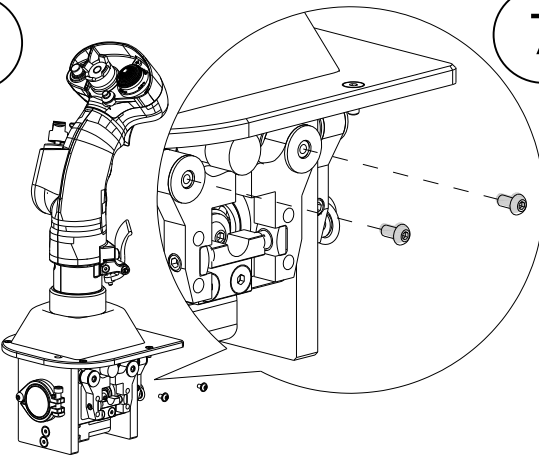
4



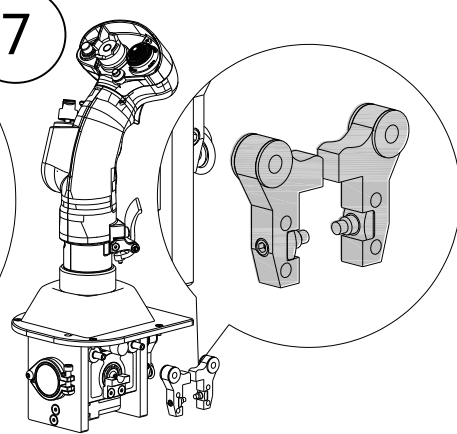
5



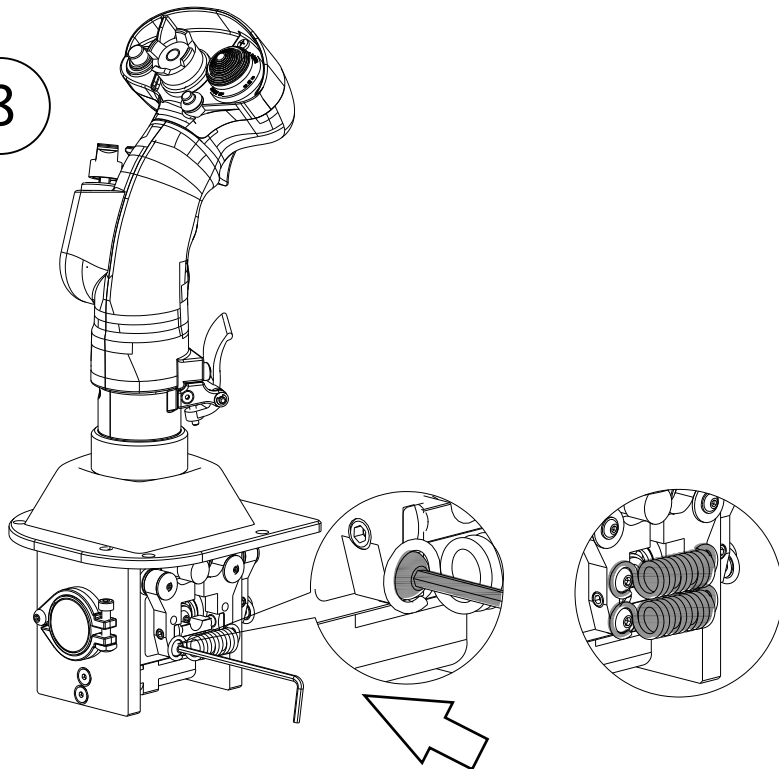
6



7



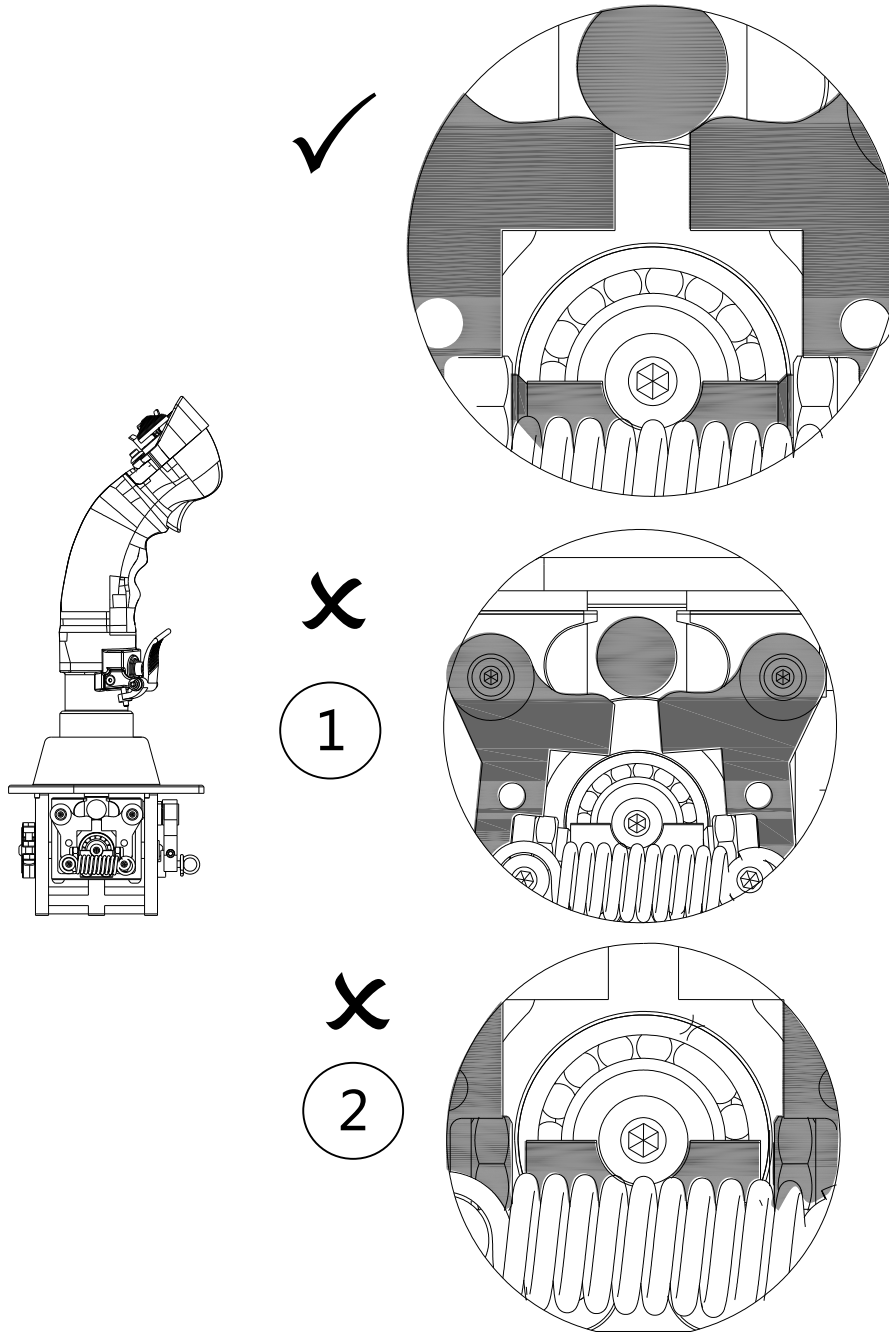
8



- 1、 Remove 12 screws as shown.
- 2、 Move the bottom plate and the outer casing to open the bottom plate.
- 3、 Unplug two connectors.
- 4、 Remove the shell and bottom plate.
- 5、 Use the pliers to pull the illustrated screw outward, remove and replace the spring.
- 6、 Use a wrench to remove the captive screws.
- 7、 Remove and replace the curved arm.
- 8、 Use a wrench to push the screw and press the screw into the hole.

## 1.3 Median calibration and median offset

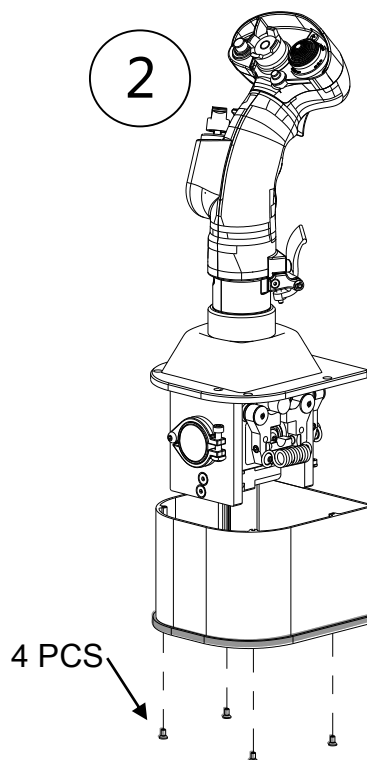
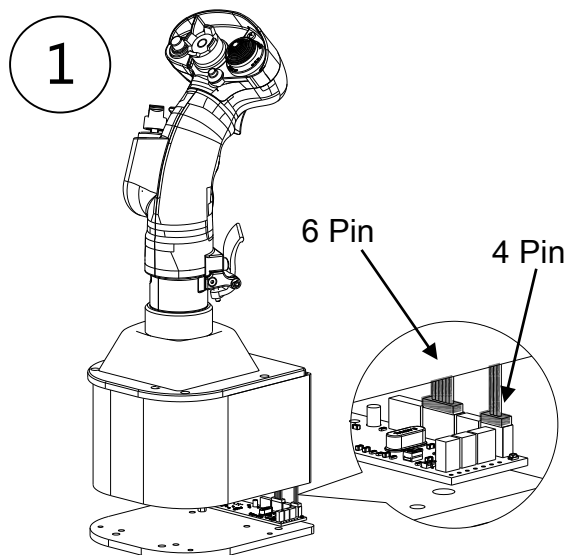
Hold the handle firmly at the target position with your hand, and adjust the clearance between the top wire and the wrench to adjust the gap to no gap (median deviation  $\pm 5^\circ$ ).



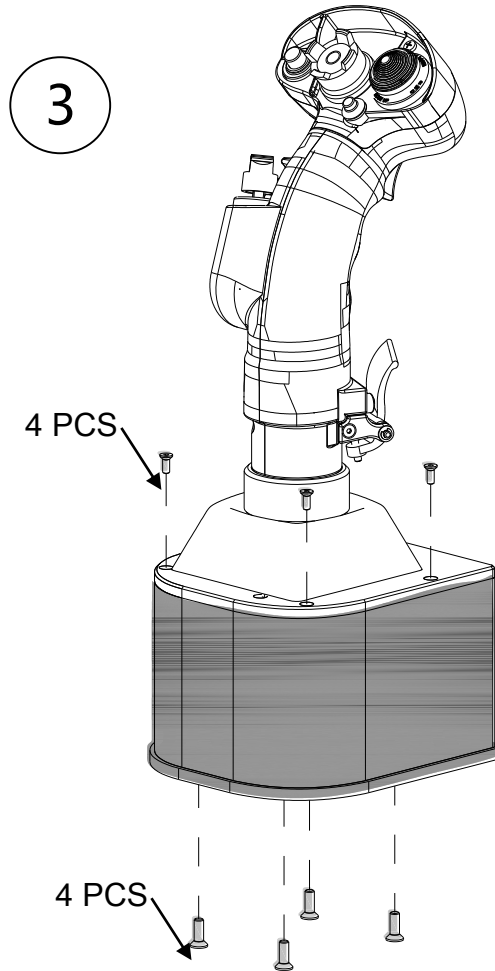
1. Rotate the left and right two top screws clockwise to eliminate the clearance;
2. Rotate the left and right two top screws counterclockwise to eliminate the clearance;

- Note: The protrusion distance of the two top wires should be bilaterally symmetrical when in the middle position.

## 1.4 Assembly steps



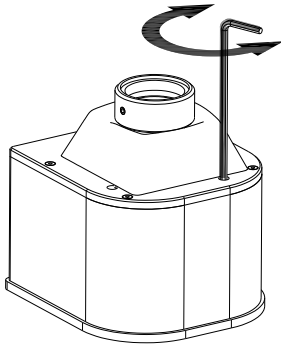




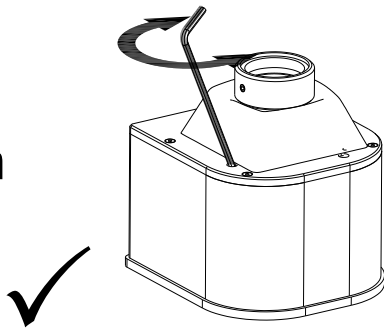
1. Plug in the lab connectors,
2. The assembly of the bottom plate and the housing requires the use of a wrench to fix the four M3 screws shown in the figure;
3. Install upside need to use the wrench to fix the four M3 screws and four M4 screws.

## 1.5 Damping adjustment

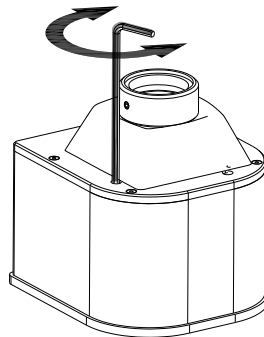
Roll



Pitch



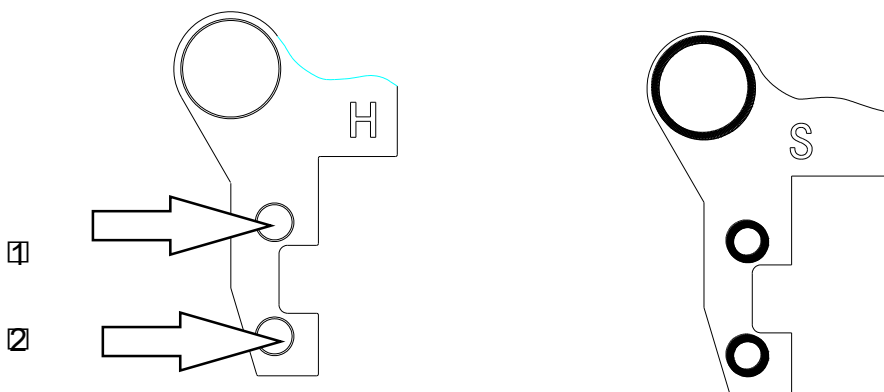
X



Turn the wrench clockwise downward to increase the damping and vice versa. (Note: Do not loosen excessively)

## 1.6 AM and Spring settings

Introduction of different feedback on settings.



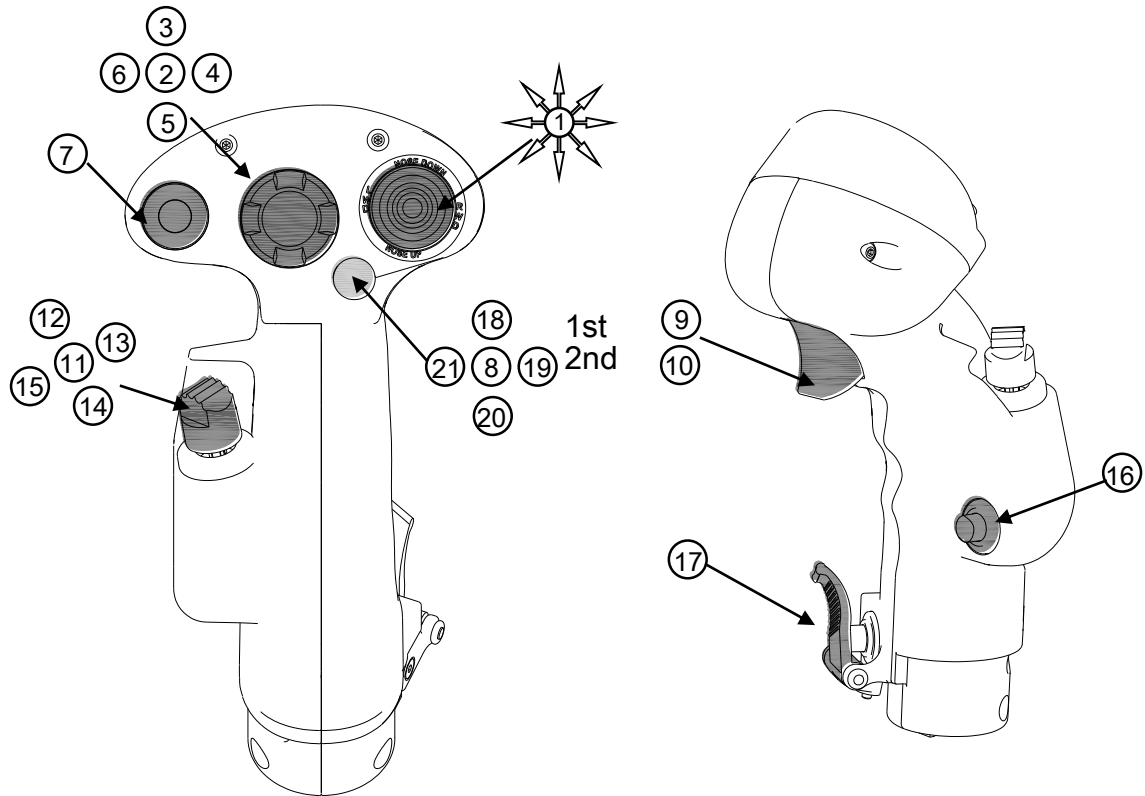
Configuration introduction table

Matching plan Installation location	J1-BASE +F18-JGRIP	1-BASE +Z Axis +F18-JGRIP	J1-BASE +Extension +F18-JGRIP	J1-BASE +Z Axis +Extension +F18-JGRIP
①		5#spring		6#spring ( Default )
②	4#spring		5#spring	4#spring

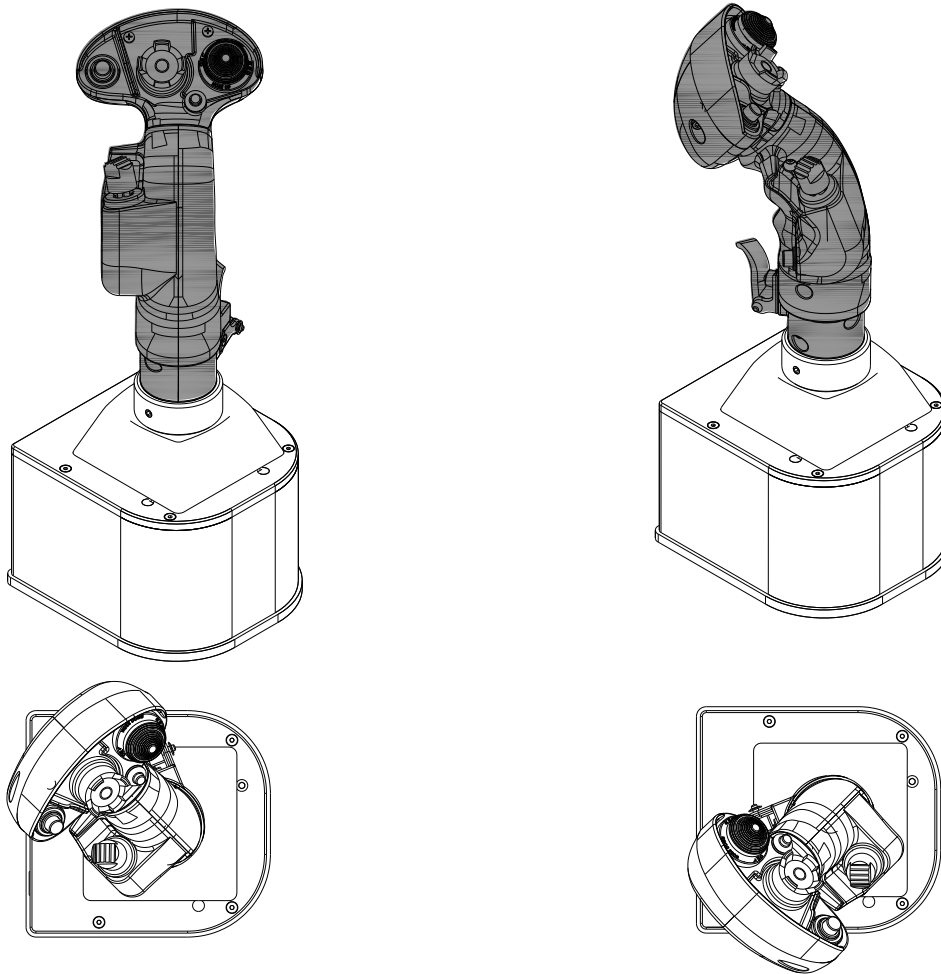
A richer operating experience can be achieved by changing the bending arm, spring and spring mounting position. Among them, the S-bend arm has a smooth transition in the middle position, and the middle position of the H-bend arm has a clear scale. It is not recommended to combine the default spring and the number 3 spring or use in pairs.

## 2 F18-JGRIP Product Introduction

### 2.1 Key map introduce



## 2.2 Joystick Grip installation angle introduction

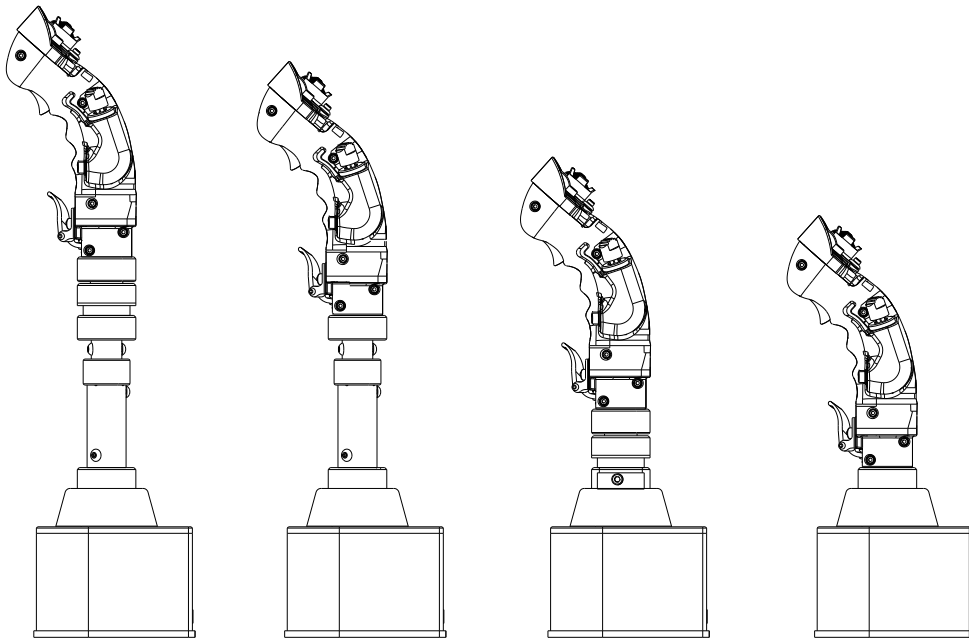


The extension rod, Z-axis kit and F18-JGRIP can be installed at any angle from 0-360° during the docking process. (Illustration example  $\pm 45^\circ$  two positions installed)

Note: Keep the components fixed during the docking process, and only twist the knurled cover to achieve docking. Otherwise, the wiring will be twisted and broken.

Please reference < FA18 HOTAS INSTALL GUIDE EN V 1.1 > part 3.2

## 2.3 Combinations of products (optional)



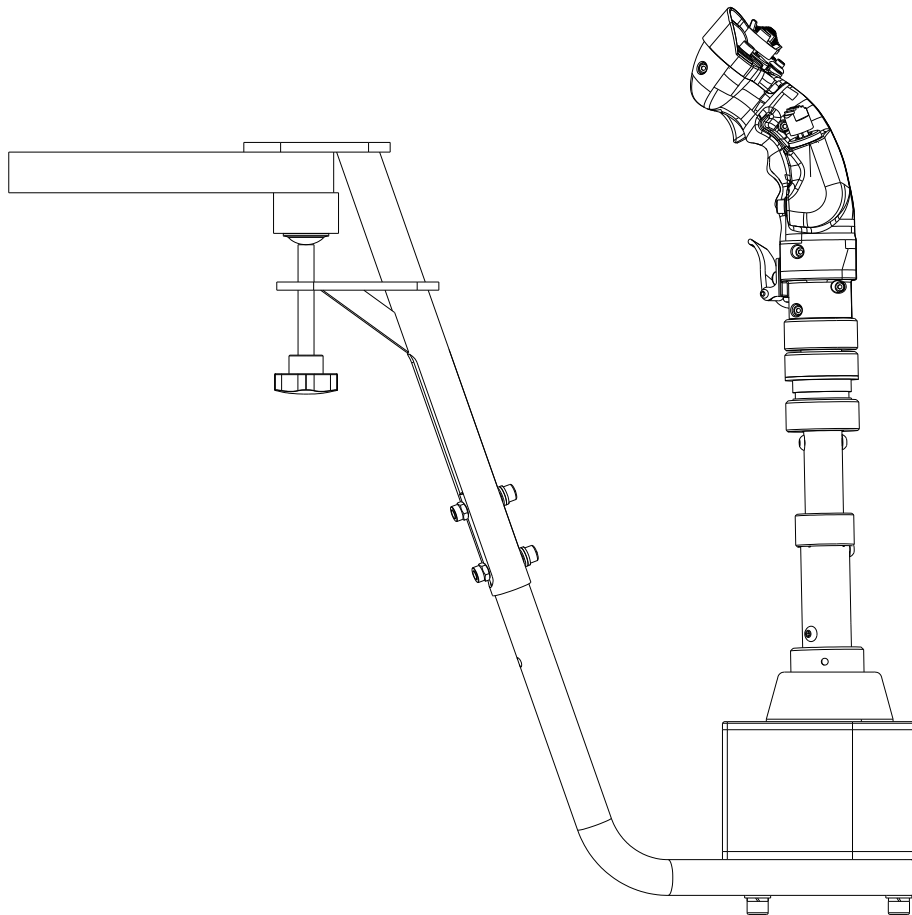
- 1、 J1-BASE+Z Axis+Extension+F18-JGRIP
- 2、 J1-BASE +Extension+F18-JGRIP
- 3、 J1-BASE+Z Axis +F18-JGRIP
- 4、 J1-BASE+F18-JGRIP

The four matching schemes are all connected with J1-HOLDER. For additional installation, please go to the official website ([www.winwing.cn](http://www.winwing.cn)) to download the drawings.

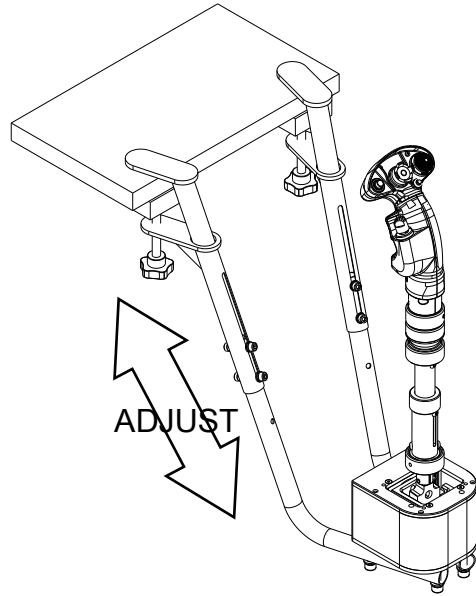
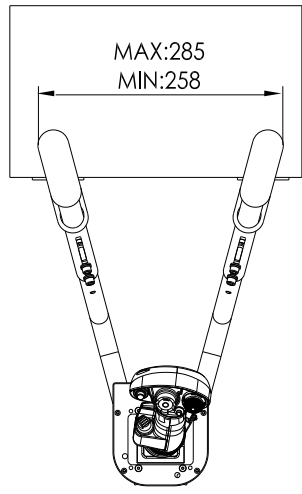
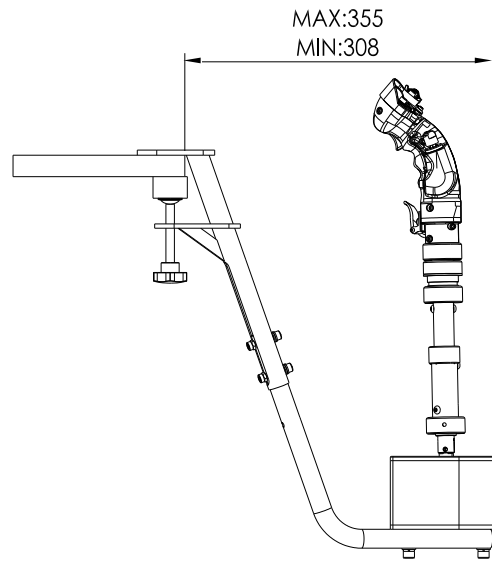
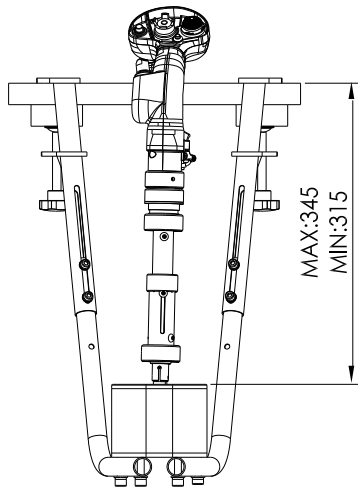
## 3 J1-HOLDER

### 3.1 J1-HOLDER Adjustment instructions

The total thickness limits of the table and the block mat is 30mm to 70mm. Install 30mm spacers as required.



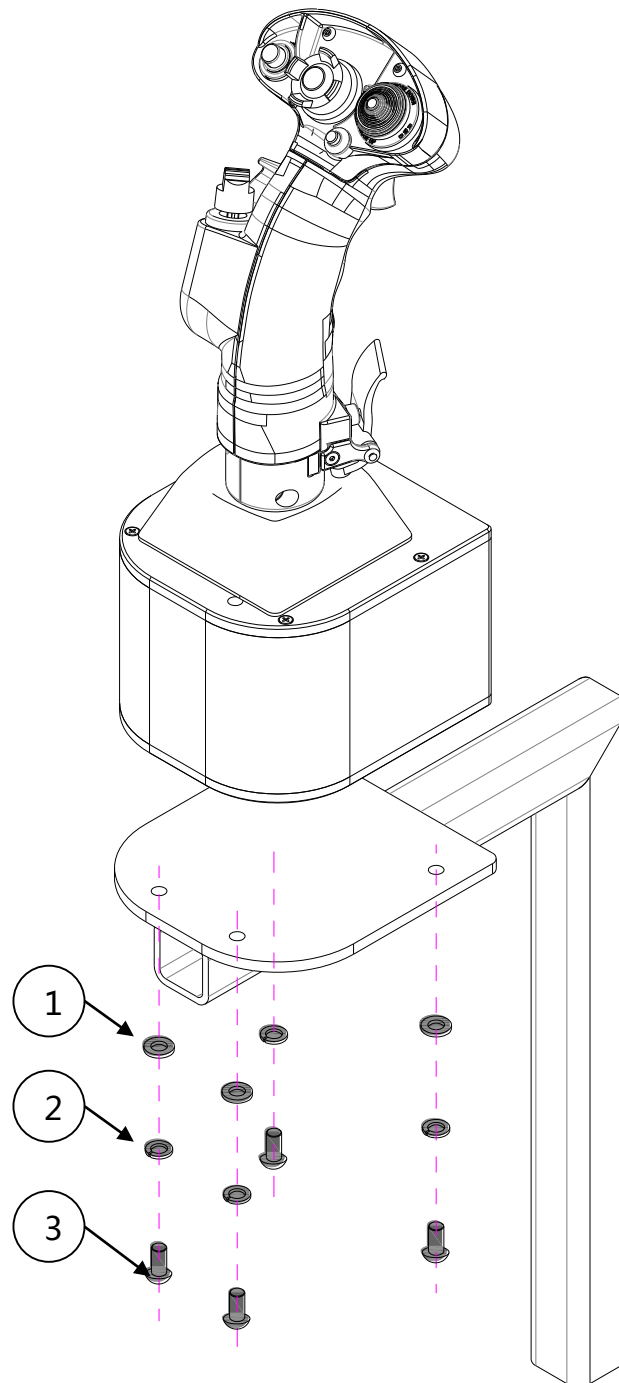
- The height difference between J1-BASE and the desktop can be changed by adjusting J1-HOLDER (minimum 315mm, maximum 345mm.)





## 4 Other installation methods(Official advice)

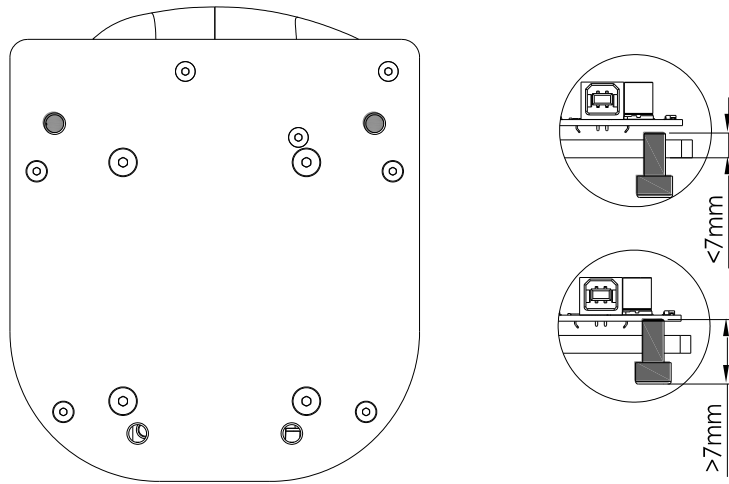
### 4.1 Gaming chair installation



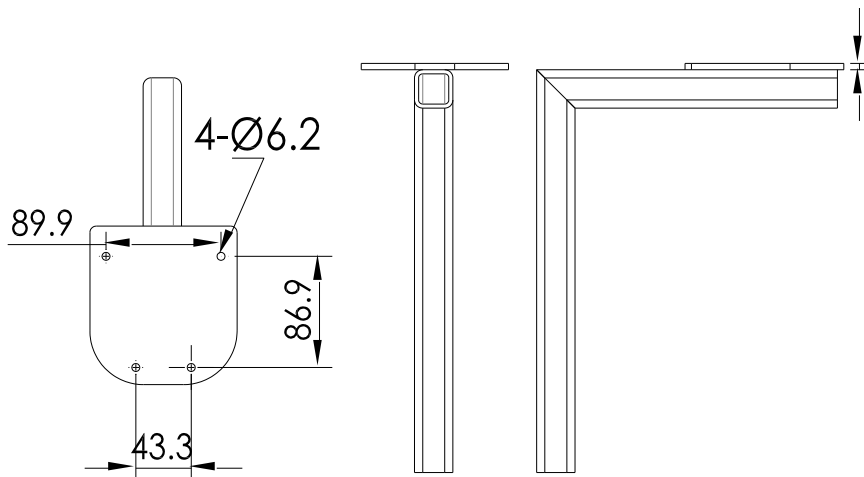
- Those kits are not include in the package.

- ① 4 of M6 type Flat screw gasket
- ② 4 of M6 type Elastic screw gasket
- ③ 4 of M6 30mm-type Allen screws

CAUTION: DO NOT USE SCREWS LONGER TOO MUCH TO INSTALL THE BASE ,OR WILL  
BROKEN PCB INSIDE.



Mounting size as shown on picture



- If you need drawings, please go to the official website to download ([www.winwing.cn](http://www.winwing.cn))